

maxon

PM100 User Manual



PM100

This product is marked with:

CE0168!

in accordance with the Class II product requirements specified in the R+TTE Directive, 1999/5/EC.

"We hereby declare that the above named product is in conformity to all the essential requirements of Directive 1999/5/EC".

French Translation

Nous déclarons que le produit référencé ci-dessus satisfait aux exigences R&TTE 1999/5/EC qui lui sont applicables.

Spanish Translation

Certificamos que el aparato es conforme con lo establecido en las disposiciones de la Directiva 1999/5/CE.

German Translation

"Wir möchten hiermit bekanntgeben, daß das oben genannte Produkt in Übereinstimmung mit allen erforderlichen Bedürfnissen der 1999/5/EC Direktive steht"

INDEX

INTRODUCTION	3
THE MAXON PM100	3
WARRANTY	3
DESCRIPTION OF RADIO	4
NOTES TO THE USER	5
PRECAUTIONS IN USE	5
PREPARING FOR USE	6
 CONTROLS AND INDICATORS	6
FRONT PANEL	6
REAR PANEL	6
STATUS LED	7
AUDIBLE MESSAGES	7
 USING THE PM100	7
ERROR ALERTS	7
 RADIO OPERATIONS	8
SWITCHING THE RADIO ON	8
RECEIVING A CALL	8
MAKING A CALL	8
BUSY	8
TRANSMIT TIME OUT TIMER	9
TX LOCK-OUT	9
MONITOR/TONE DEFEAT	9
CHANGE CHANNEL	9
SCANNING & PRIORITY LOOKBACK	9
 ADDITIONAL INFORMATION	11
ACCESSORIES	11
VOICE PRIVACY	11
NOTES	11

INTRODUCTION

THE MAXON PM100

Key features

- State of the art microprocessor control
- Four fully synthesised channels
- Tri-colour LED instantly shows the status of a channel
- Full scanning features
- Front panel speaker
- Standard vehicle DIN mounting size
- Encryption option
- Selcall optional module

Signalling options

- Continuous Tone Coded Squelch Signalling (CTCSS) and Digitally Coded Squelch (DCS)
CTCSS/DCS helps to screen you from calls intended for other users or user groups. It is also used in some systems to access wide-area repeaters.

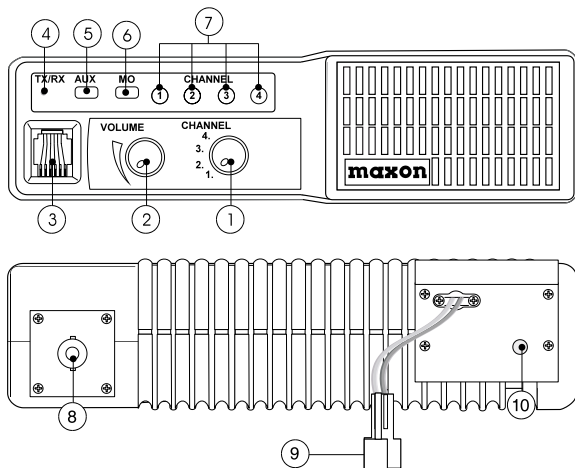
Robustness built-in

The PM100 is of a sturdy construction and is dust and water resistant to the level set down in IEC 529, level IP54 and also withstands the rigorous tests of the US MIL STD 810C, D, E.

WARRANTY

This product comes with a standard 12 months (UK) warranty. An extended warranty can be arranged for this product. Ask your dealer for details.

DESCRIPTION OF RADIO



- 1 Channel Selector
- 2 Volume Control
- 3 Microphone Socket
- 4 Status LED Display
- 5 Auxiliary Button
- 6 Monitor Button
- 7 Channel Display
- 8 Antenna Socket
- 9 DC Supply
- 10 External Speaker Socket

NOTES TO THE USER

Care of equipment

- Keep the exterior of the radio clean using a soft damp cloth.
- Do not use chemical cleaners, aerosol sprays or petroleum based products as they may damage the radio housing.

Warnings

The use of an attachment not recommended or supplied by Maxon may cause damage to equipment or injury to personnel.

Never attempt to disassemble, modify or repair the unit unless the work is carried out by a qualified technician. Incorrect assembly, modification or repair may cause irreparable damage to your unit.

For service or repair always return your radio to an authorised Maxon dealer.

PRECAUTIONS IN USE

- Maxon Sewon Europe Ltd. draw your attention to the provisions within the UK Highway Code, Section 43: 'You **MUST** exercise proper control of your vehicle at all times. Do not use a hand-held telephone or microphone while you are driving. Find a safe place to stop first. Do not speak into a hands-free microphone if it will take your mind off the road. You **MUST NOT** stop on the hard shoulder of a motorway to answer or make a call, except in an emergency.'
- Never transmit when people are near the antenna: holding or being close to the antenna may cause injury.
- Never use the radio transmitter without the correct antenna securely connected or a suitable load attached.
- Never use the radio in close proximity to sensitive medical equipment.
- Always switch off the radio if you are near to an explosive atmosphere or where electrical detonation may occur.
- Always install all equipment in accordance with MAXON SEWON Europe's installation instructions.

PREPARING FOR USE

Unpacking and Inspection

Unpack the radio and check that you have received the following items:

- PM100 mobile radio
- Microphone
- Power lead
- Mounting kit
- Accessories kit
- Microphone clip

CONTROLS AND INDICATORS

FRONT PANEL

- ① **Channel selector:** Rotate to select desired channel
- ② **Volume control:** The volume control is the ON/OFF switch and controls the speaker volume.
- ③ **Microphone socket:** Plug the fist microphone in here.
- ④ **Status LED display:** Illuminates and flashes in different colours to tell you the current operating condition and activities of your radio.
- ⑤ **Auxiliary button:** Switches in the scrambling option if fitted. If your radio has been upgraded with an encryption module, further functions become available. Pressing the Auxiliary button makes the radio transmit and receive in scrambled mode. Releasing the button switches the radio back to normal, clear, mode (see SCRAMBLER FEATURES).
- ⑥ **Monitor button:** Allows a channel to be monitored. This button may be used to assist clarity when the radio is operating at the limit of its range.
- ⑦ **Channel display:** The LED at the current position is illuminated.

REAR PANEL

- ⑧ **Antenna socket:** This is the connection point for a 50 ohm antenna.
- ⑨ **DC Supply**
- ⑩ **External speaker socket:** This is the connection point for an external loudspeaker for the radio. The front panel speaker is muted when the external speaker is connected.

STATUS LED

Status	Description	Colour
Normal	Power on ready	Off
	Busy	Yellow
	Receiving correct CTCSS/DCS	Green
	Transmit	Red
	TX-lock out	Yellow, flashing
Error	Scanning	Green, flashing*
	EEPROM Error	Red, flashing
	PLL Error	Red, flashing
	Filtering Error	Red, flashing

* Your dealer or system supervisor may have disabled the flashing green scan indicator.

AUDIBLE MESSAGES

Audible alerts, such as high and low tones, of long and short duration, may be used. Your radio controller will be able to give you details of the alerts used in your system.

USING THE PM100

Note: *The availability of the functions described in this section is dependent on the set-up of your radio. Please consult your Dealer or Supervisor for further information.*

ERROR ALERTS

Unprogrammed channel

If your radio has been set-up for less than the maximum number of channels, turning to a blank channel will cause your radio to beep and the status LED will flash red, indicating that the channel is unusable.

Receive only channel

Your radio may be set-up to receive on a channel but not to transmit. If the PTT is pressed on such a channel, the radio will beep and the LED will flash red.

RADIO OPERATIONS

SWITCHING THE RADIO ON

Switch the radio on by turning the volume control clockwise until it clicks. An audible alert sounds on completion of the automatic self-test.

RECEIVING A CALL

On receipt of a call, the TX/RX LED will switch to either yellow or green depending on your system configuration. Wait until the incoming message has finished before starting your own transmission.

Press and hold the fist microphone PTT button (located on the side of the microphone) while making a transmission – speak clearly with the microphone approximately 5 to 8 cms away – release the PTT button to listen.

The status LED illuminates red whenever your radio is transmitting.

If your radio has been set-up for Transmit Time Limiting, your radio will return to the Receive state after this transmit period.

If your radio has been set-up for Transmit Lockout, you will not be able to transmit if the channel is busy.

MAKING A CALL

Before transmitting, it is recommended that you monitor the channel to ensure that it is not in use. Using the channel selector, turn to the required channel and press the Monitor button.

If the channel is clear, press the microphone PTT button. The TX/RX LED will turn red. Speak to the party you are trying to call.

Listen to the acknowledgement from the called party and then speak into the microphone in a normal manner.

Release the PTT button to listen.

BUSY

When your radio receives a signal above a preset minimum level, the LED will illuminate yellow to tell you that there is activity on the channel you are switched to. Your radio may be set up so that you hear who is talking straight away or it may be set up to prevent this until the correct CTCSS/DCS code is received.

Receiving CTCSS/DCS

Your PM100 may be set-up so that only calls with the radio's specified code will be heard. In normal operation, the speaker will remain quiet until the correct CTCSS/DCS code is received. The status LED will glow green, the loudspeaker will open and the message will be heard.

TRANSMIT TIME OUT TIMER

If set-up, your radio will stop transmitting after a preset period of time. An audible alert is heard at the end of the period.

TX LOCK-OUT

The PM100 may be set-up to disable the transmitter when the channel is Busy. If the PTT button is pressed, an audible alert will sound and the status LED will flash yellow.

MONITOR/TONE DEFEAT

Your radio may be set-up to either allow or dis-allow monitoring of a channel. Short presses of the Monitor button will toggle the monitor mode on and off.

When on, the radio will continue to receive even if the signal is very low. This may assist clarity if the radio is operating at the limit of its range.

CHANGE CHANNEL

The PM100 can access a maximum of 4 channels. Turn the channel control to the channel number on which you wish to operate.

SCANNING & PRIORITY LOOKBACK

Note: *Your radio may or may not be configured for scanning. Please ask your Dealer or System Supervisor for specific details.*

What is scanning?

Your radio is switched into Scan mode by selecting the scan channel (see Dealer/System Supervisor for details). When scan commences, it cycles through a set of channels. It is pre-programmed to stop at any busy channel. When activity stops on this channel, the radio waits a pre-determined time to allow you to respond. If you don't transmit, the radio will then continue with the scan.

Removing a channel from the scan list

If your radio is always stopping on an unwanted channel, press the Monitor button while the scan has stopped on the channel to remove it from the scan list.

Note: *Scan list is reset when the radio is turned off then on, or when the scan channel is re-selected.*

What is priority lookback?

If your radio is programmed for priority lookback, your Dealer/System Supervisor will have assigned a priority channel, and between 1 and 3 lookback channels. If your radio is receiving on a lookback channel, it will periodically check the priority channel for activity. If the priority channel becomes busy, the radio will monitor this channel in preference to the current channel.

ADDITIONAL INFORMATION

ACCESSORIES

A full range of Maxon accessories are available to use with this product. Please contact your Maxon Reseller for more information or visit www.maxon.co.uk

VOICE PRIVACY

Your radio may be upgraded with one of two voice privacy options which provide protection against unauthorised eavesdroppers. The Single Frequency Inversion Scrambler provides medium level speech security, and the Rolling Code Scrambler provides high level speech protection against the most determined opponents.

Clear mode

Once upgraded, the Auxiliary button is used to toggle the radio between clear and secure modes. When the button is out, the PM100 will transmit in clear mode.

Secure Mode

When the Auxiliary button is in, the PM100 will be switched to the secure mode. All transmissions will now be scrambled.

Receive Mode

If your radio has inversion scrambling fitted, to listen to scrambled messages, the Auxiliary button must be pressed in. Radios with rolling code scrambling will switch into the

correct receive mode automatically.

NOTES:

When using inversion scrambling, all radios in a system must have the special function button switched to the same state to allow correct operation.

When using the rolling code scrambler, the PM100 will automatically switch between clear and secure modes when receiving a transmission. This transmits data at the start of every transmission and the user should pause for about half-a-second after depressing the PTT button before speaking into the radio.

SOP55-01 FIXED SELCALL MODULE

If your radio has been upgraded with the SOP55-01 Selcall Module, a range of additional signalling options is available. These features can reduce the time spent receiving messages meant for other radios and makes better use of the radio channel.

With the Selcall option fitted, the operation of the radio will change. An instruction sheet with further details on the operation of the radio with Selcall is included with the module.

